

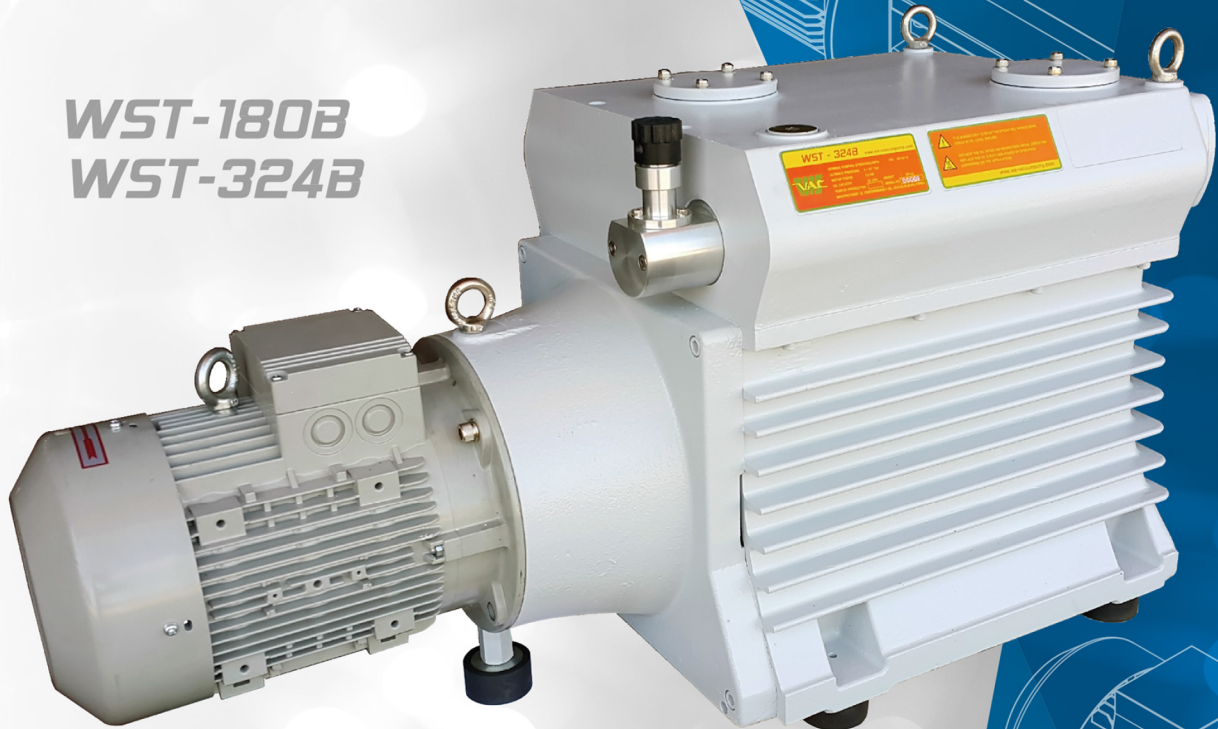


**WOOSUNG
VACUUM PUMP**

WST-B Series

Two-stage rotary vane vacuum pump

***WST-180B
WST-324B***



www.ws-vacuumpump.com

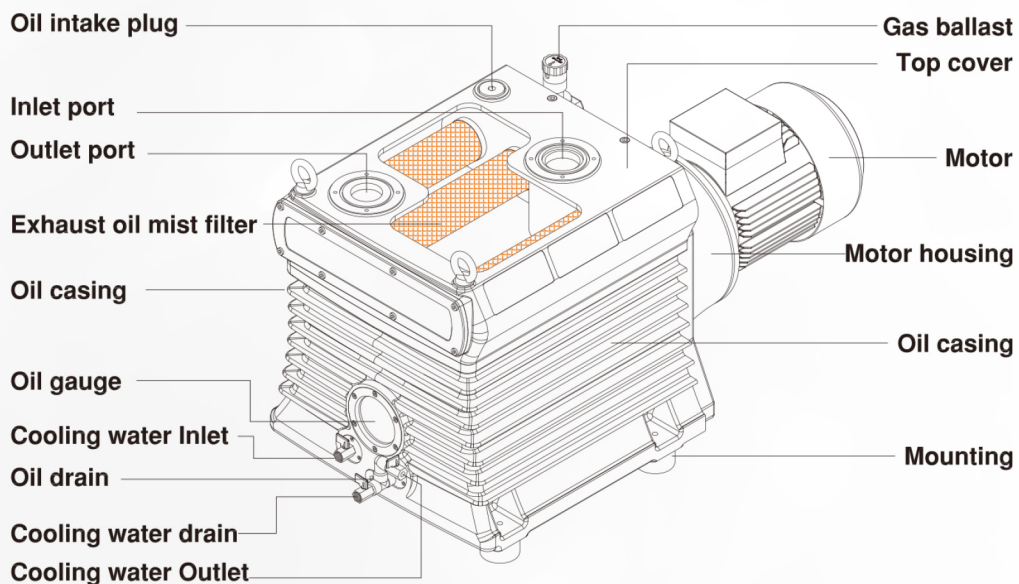
WST-B Series

Design Feature

1. 최저 펌프온도를 유지하는 구조로 가혹한 작업공정에 이상적이고 안정된 펌프성능 유지
2. 우수한 진공도 및 배기속도
3. 역류방지 밸브시스템은 펌프정지시 진공설비로의 오일역류 방지
4. 오일미스트트랩은 오일소모를 줄이고 작업장의 환경호염을 방지
5. 정압 오일 순환 시스템은 저진공작업에 연속사용이 가능하고 펌프를 보호
6. 국제규격에 따른 흡입구 배기구 사용(ISO flange)
7. 저소음, 저진동
8. 유지보수 및 수리의 용이

1. Stable operating temperature and high performance ideal for rough applications.
2. Excellent ultimate vacuum and pumping speed.
3. Improved anti-suckback system to protect the pump in the event of sudden stop.
4. Oil mist trap reduces oil consumption and prevents pollution.
5. Constant pressured oil circulating system enables continuous operation at low vacuum.
6. International standard flange. (ISO flange)
7. Low noise level and low vibration level.
8. Simple repairing and maintenance

External Pump Sketch

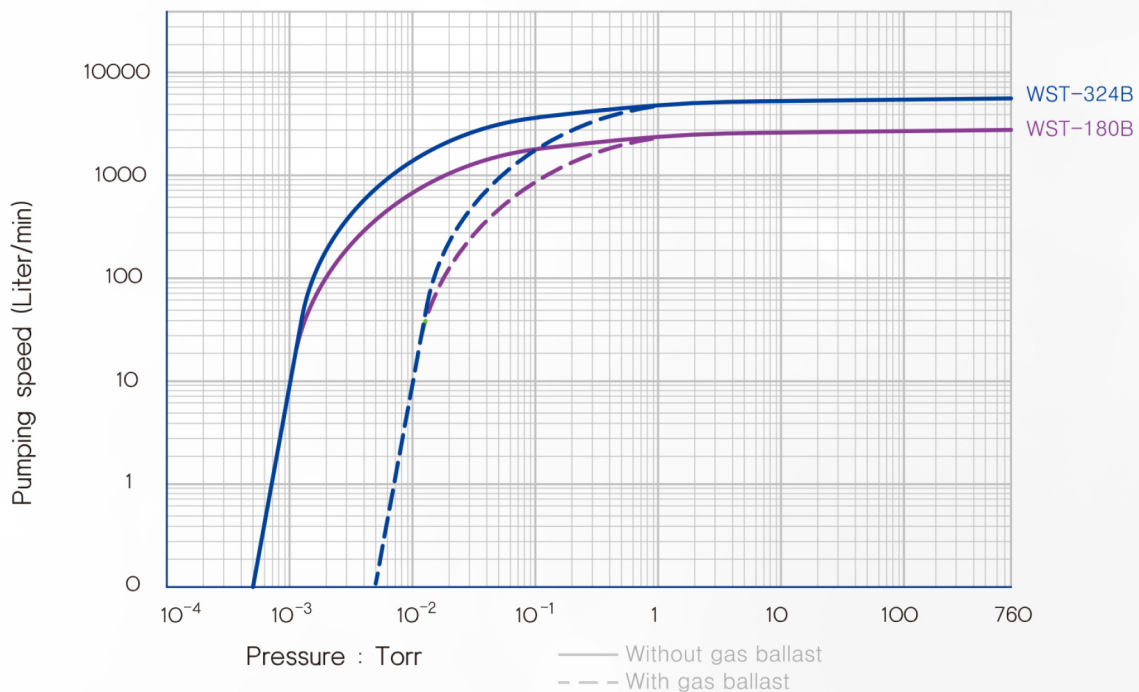


WST-B Series

Technical Data

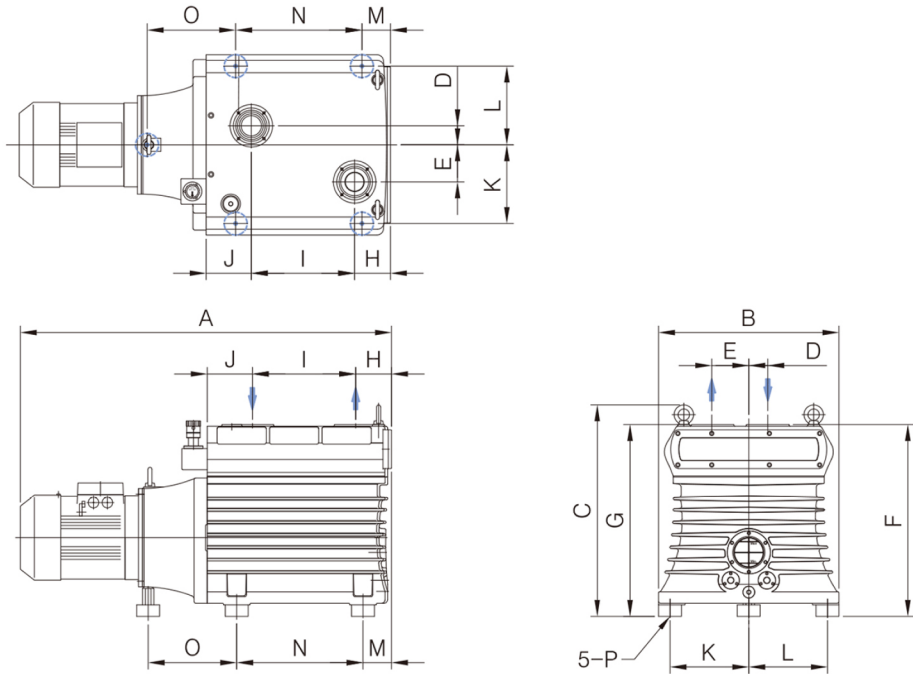
DESCRIPTION		UNIT	WST-180B	WST-324B
Displacement Speed	60Hz	m ³ /h	180	324
		L/Min	3000	5400
	50Hz	m ³ /h	150	270
		L/Min	2500	4500
Ultimate Pressure	With gas ballast	Torr	5×10^{-3}	5×10^{-3}
	Without gas ballast		5×10^{-4}	5×10^{-4}
Inlet Port			ISO 63	ISO 63
Outlet Port			ISO 63	ISO 63
Motor Power (50 Hz / 60 Hz)		kW	3.7	7.5
Rotational speed of Pump	60Hz	R.P.M	1800	1800
	50Hz		1500	1500
Oil Filling		Liter	15	20
Cooling water (less than 20°C)		L/min	3	4
Weight		kg	194	280

Pumping Speed Curve



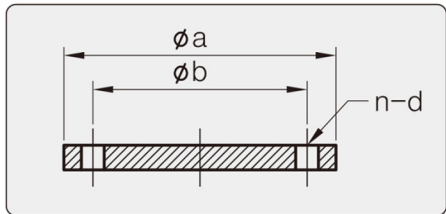


Outside Dimension



Model	A	B	C	D	E	F	G	H	I	J	K	L	M	N	O	P
WST-180B	938	460	558	50	57.5	505	505	113	225	125	200	200	134	210	249	M10
WST-324B	1132	550	645	58	113	585	585	110	315	137.5	240	240	87	385	270	M10

Dimensions of ISO flange



(UNIT : mm)

STANDARD	a	b	n	d
ISO 40	100	80	4	M8
ISO 63	130	110	4	M8



※ 본사판매
 경기도 김포시 양촌읍 황금로 258번길 14
 TEL : 031-432-7324
 FAX : 031-498-7328
 홈페이지 : www.vacuumkorea.com

※ Head office
 14, Hwanggeum-ro 258beon-gil,
 Yangchon-eup, Gimposi, Gyeonggi-do, Korea
 TEL : 031-432-7324
 FAX : 031-498-7328
 Homepage : www.vacuumkorea.com